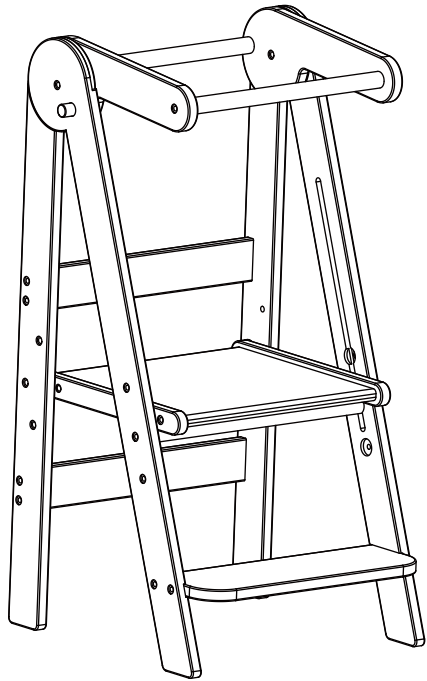


Assembly Instructions

(NAME: White Foldable Tower)



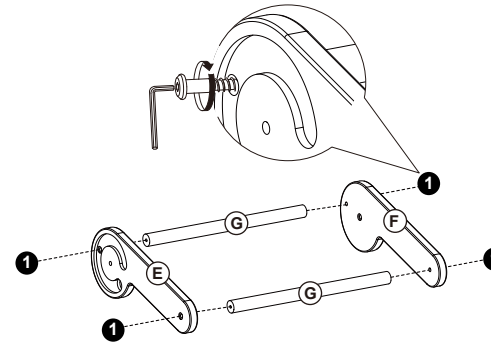
(Size: 18.9"x18.1"x35.6")

- 1** (18)
- 2** (2)
- 3** (2)
- 4** (4)
- 5** (2)

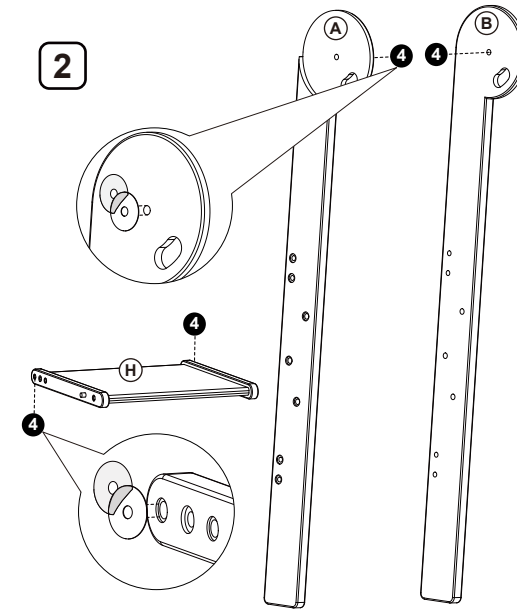
⚠ WARNING

Must be used under Adult supervision at all times. For the use of one child at a time only. Must be assembled by an adult. The screws and small parts must not be accessible to young children. Stop using the learning tower when child's hips height is above the upper side bars. For domestic and indoor use only. Must be used on flat surfaces away from any structure or obstruction that could injure the child. Carry out regular safety checks, including bolts' tightness.

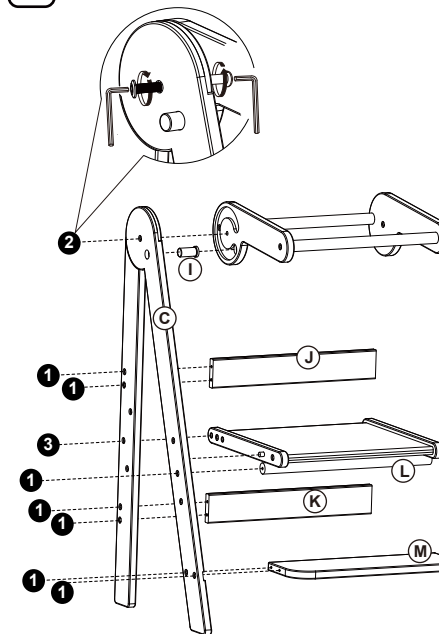
1



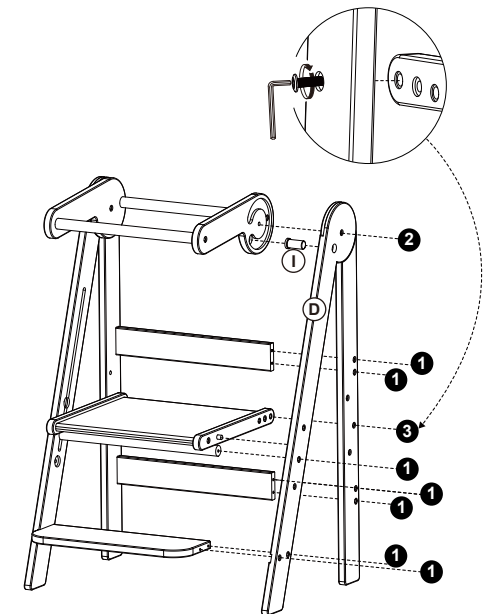
2



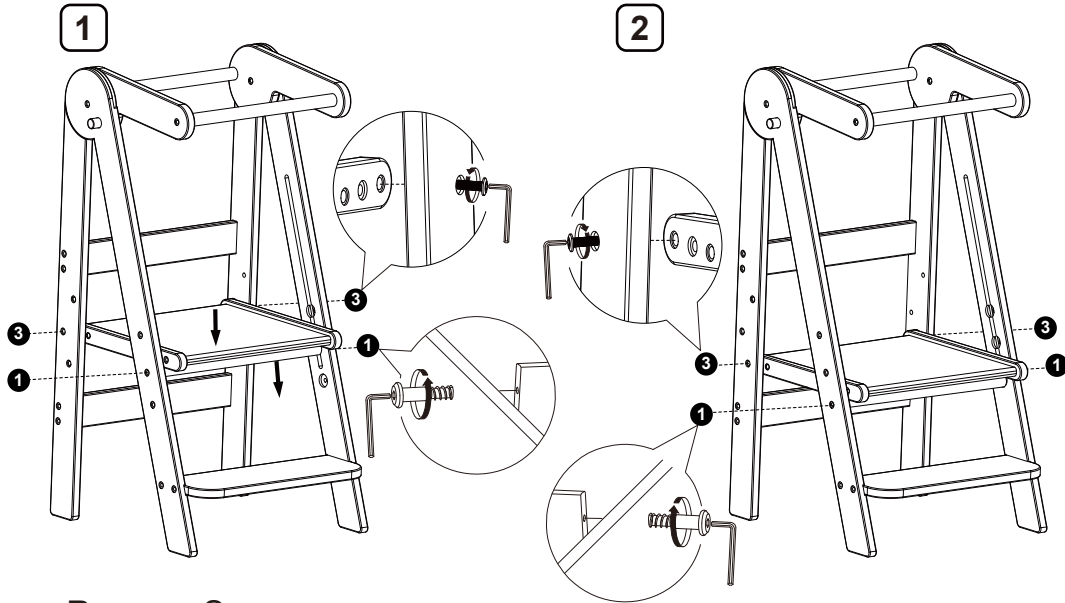
3



4



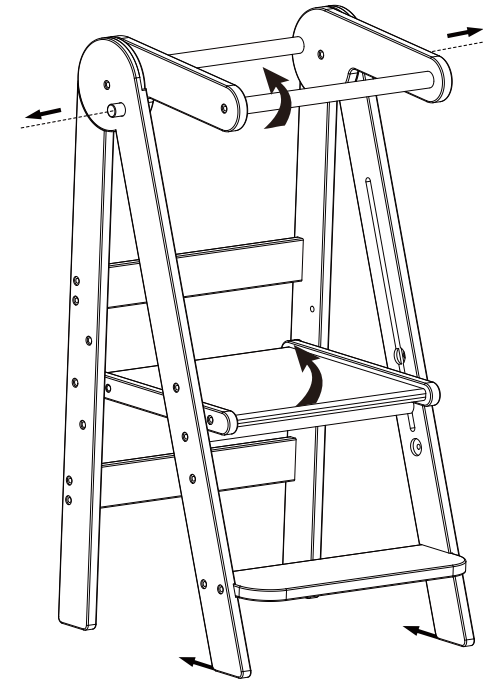
Adjust Height



Remove Screws
Move Step Board

Install Screws

Foldable



3-Level Height Adjustment

